

# GRAVEL OVERLAND

## ALLESTIMENTI / EQUIPMENTS

- 51BZ** GRAVEL OVERLAND Shimano GRX 825 Di2 24S
- 51BX** GRAVEL OVERLAND Shimano GRX610 24s
- 51BE** GRAVEL OVERLAND Shimano GRX610 12s
- 51BR** GRAVEL OVERLAND Shimano GRX400 Mix 20s
- 51RX** GRAVEL OVERLAND Sram Rival AXS XPLR 12s

**51BZ GRAVEL OVERLAND**  
Shimano GRX 825 Di2 24s  
**PESO** 9,065 Kg taglia M  
**COLORE** C59 Antracite Verde Opaco

**51BZ GRAVEL OVERLAND**  
Shimano GRX 825 Di2 24s  
**WEIGHT** 9,065 Kg size M  
**COLOUR** C59 Matt Anthracite Green

**OPZIONE** Ruote Fulcrum Wind 42 Carbon DB

**OPTION** Wheels Fulcrum Wind 42 Carbon DB

La nuova GRAVEL OVERLAND unisce velocità e adrenalina al mondo dell'esplorazione. Il nuovo telaio in carbonio con geometria leggermente sloping garantisce un'impostazione di guida più veloce ma allo stesso tempo confortevole, studiata per le lunghe percorrenze su terreni sconnessi. Grazie al design del carro posteriore e alla lavorazione della fibra di carbonio, la stabilità di guida è migliorata, con vantaggio in termini di maneggevolezza e controllo anche sui sentieri più impegnativi a pieno carico. L'efficienza aerodinamica è nettamente migliorata grazie anche alla piega integrata ONE GR carbon, al reggisella aero in carbonio dedicato e al morsetto integrato.



The new GRAVEL OVERLAND combines speed and adrenaline to the world of exploration. The new carbon frame with slightly sloping geometry ensures a faster but at the same time comfortable riding setup, designed for long routes on uneven terrain. Thanks to the rear stay design and carbon fibre processing, riding stability is improved, with an advantage in terms of handling and control even on the most demanding trails with full load. Aerodynamic efficiency is also significantly improved thanks to the integrated ONE GR carbon handlebar, dedicated carbon aero seat post and integrated clamp.



**51RX GRAVEL OVERLAND**  
Sram Rival AXS XPLR 12s  
**PESO** 10,150 Kg taglia M  
**COLORE** C34 Blu Arancio Opaco

**51RX GRAVEL OVERLAND**  
Sram Rival AXS XPLR 12s  
**WEIGHT** 10,150 Kg size M  
**COLOUR** C34 Matt Blue Orange

## KT 51 GRAVEL OVERLAND

**TELAIO** Gravel Carbonio monoscocca UD disco, passaggi cavi totalmente integrato, perno passante da 12mm, fissaggio reggisella integrato, predisposizione per bike packing. Passaggio ruote fino a 50mm

**MOVIMENTO** PRESSFIT 86mm

**STERZO** Integrato 1" 1/2 sopra e 1" 1/2 sotto

**FORCELLA** Carbonio monoscocca con canotto conico 1"1/2, peso 450g perno passante da 12mm, predisposizione per bike packing

**REGGISELLA** Carbonio monoscocca, con arretramento di 15mm. Peso grezzo 210g

**COLORI** C34 Blu Arancio Opaco, C59 Antracite Verde Opaco

**PESO** Taglia M grezzo 1100g

**FRAME** Gravel monocoque carbon UD disk, fully integrated routing cables, 12mm thru axle, seatpost with integrated tightening. Fit for bike packing. Tire clearance size up to 50mm

**BB** PRESSFIT 86mm

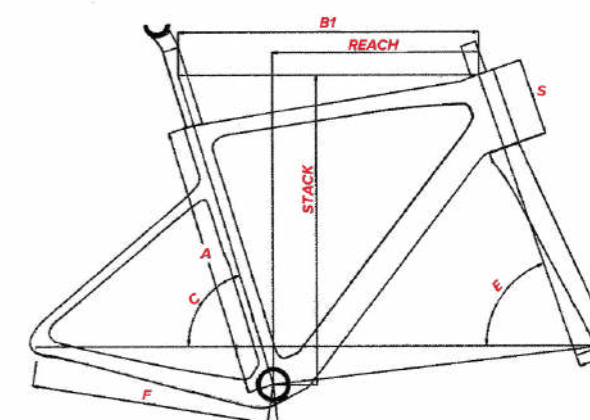
**HEADTUBE** Integrated 1" 1/2 up and 1" 1/2 down

**FORK** Monocoque carbon tapered steerer 1" 1/2, weight 450g. Thru axle 12mm, fit for bike packing

**SEATPOST** Monocoque carbon, seat back 15 mm. Weight raw 210g

**COLOURS** C34 Matt Blue Orange, C59 Matt Anthracite Green

**WEIGHT** Size M raw 1100g



SIZE	A	B1	C	E	F	S	STACK	REACH
45	425	517	74°	70,5°	435	125	541	369
49	460	538	73,5°	71°	435	140	556	370
52	490	551	73°	72°	435	150	568	372
54	505	571	72,5°	72°	435	170	589	374
56	525	588	72,5°	72,5°	435	190	606	379

ALLESTIMENTO EQUIPMENTS	51BZ	51BX	51BE	51BR	51RX
DESCRIZIONE DESCRIPTION	GRAVEL OVERLAND Shimano GRX 825 Di2 24s	GRAVEL OVERLAND Shimano GRX610 24s	GRAVEL OVERLAND Shimano GRX610 12s	GRAVEL OVERLAND Shimano GRX400 Mix 20s	GRAVEL OVERLAND Sram Rival AXS XPLR 12s
GRUPPO GEAR	Shimano GRX 825 Di2 24s	Shimano GRX610 24s	Shimano GRX610 12s	Shimano GRX400 Mix 20s	Sram Rival AXS XPLR 12s
CAMBIO REAR DERAILLEUR	Shimano GRX 825 Di2 24s	Shimano GRX610 24s	Shimano GRX610 12s	Shimano RX400 20s	Sram Rival AXS XPLR 12s
COMANDI SHIFTER	Shimano GRX 825 Di2 24s	Shimano GRX610 24s	Shimano GRX610 12s	Shimano RX400 20s DISK	Sram Rival AXS XPLR 12s
GUARNITURA CHAINWHEEL	Shimano GRX 825 Di2 24s 48/31	Shimano GRX610 24s 30/46	Shimano GRX610-1 40th	FSA Omega Megaexo Alu 30/46	Sram Rival AXS XPLR 40th
RUOTE WHEELS	ITM Carbon 40mm FUGA/ Ursuss Carbon TC37 TL	Fulcrum Rapid Red 5 DB	Fulcrum Rapid Red 5 DB	GPM 825/5 alu TLR 30/23 axle12	ITM Carbon 40mm FUGA/ Ursuss Carbon TC37 TL
CASSETTA CASSETTE	Shimano GRX 825 11/36 24s	Shimano GRX 11/36 12s	Shimano GRX 10/51 12s	Shimano GRX 11/34 10s	Sram Rival AXS XPLR 10/44th
FRENI BRAKES	Shimano GRX 825 Di2 DISK 160/160	Shimano RX410 DISK 160/160	Shimano RX410 DISK 160/160	Shimano RX400 DISK 160/160	Sram Rival AXS XPLR 160/160
COPERTURE TIRES	VRB Gravel 700x40 black para	VRB Gravel 700x40 black para	VRB Gravel 700x40 black para	VRB Gravel 700x40 black para	VRB Gravel 700x40 black para
PIEGA HANDLEBAR	O1E GR Full Carbon Integrated	O1E GR Full Carbon Integrated	O1E GR Full Carbon Integrated	Deda Superzero flat Gravel DCR	O1E GR Full Carbon Integrated
PIANTONE STEM	O1E GR Full Carbon Integrated	O1E GR Full Carbon Integrated	O1E GR Full Carbon Integrated	Raxe Gravel Alu DCR	O1E GR Full Carbon Integrated
REGGISILLA SEAT POST	OVERLAND Carbon	OVERLAND Carbon	OVERLAND Carbon	OVERLAND Carbon	OVERLAND Carbon
SELLA SADDLE	SAN MARCO short fit wide open	SAN MARCO short fit wide open	SAN MARCO short fit wide open	Selle ITALIA X Model	SAN MARCO short fit wide open