



E-MODECO URB 3.0

820Wh



black



graphite-silver



Shimano EP8



250W 85Nm



820Wh



10 speed

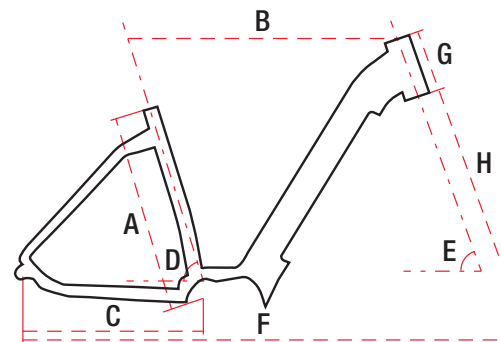
E-MODECO URB 3.0 820Wh

Technical data

MOTOR / PERFORMANCE	Shimano EP8 mid-mount, 250 Watt, 85Nm torq. sensor	TYRES	Michelin Proték Max 28"×2.20"
CONTROL UNIT	display Shimano SC-E610	RIMS	WTB ST i25
BATTERY	820Wh	FRONT HUB	Shimano MT400B 15mm/110mm
CHARGER	4,5A	REAR HUB	Shimano MT400B 12mm/148mm
WHEEL SIZE / FRAME	28" / alu 6061	CASSETTE	Shimano Cues CS-LG300-10, 11-48T, 10 speed
SIZE	M – 17" / L – 19"	HANDLEBAR	aluminium 660mm, 31,8mm
FORK	Suntour NX1-32-BOOST-AIR-LO, 80mm, tapered	STEM	RMT alu. adj. 85mm/105mm Int. cable rout. 31,8mm
DAMPER	—	SEAT POST	aluminium suspension 30,9mm/300mm
DRIVETRAIN	1×10	GRIPS	Wittkop Medicus Ergo
FRONT SHIFTERS	—	SADDLE	Selle Royal ON
REAR SHIFTERS	Shimano Cues SL-U6000 10 speed	PEDALS	FP-972ZU aluminium
FRONT DERAILLEUR	—	FRONT LAMP	Satelite C13
REAR DERAILLEUR	Shimano Cues RD-U6000	REAR LAMP	Spanninga Pimento
CRANKSET	Shimano SM-CRE80-B 38T 170mm	WEIGHT	28,8 kg
FRONT BRAKE	Shimano BL-MT401 hydraulic	COLOURS	black, graphite-silver
REAR BRAKE	Shimano BL-MT401 hydraulic		
FRONT BRAKE DISC	Shimano SM-RT30 180mm		
REAR BRAKE DISC	Shimano SM-RT30 180mm		

Geometry

	M	L
Tyre size	28"	28"
A - frame size	432 mm	483 mm
B - top tube length	615 mm	625 mm
C - chainstay length	460 mm	460 mm
D - seat tube angle	73°	73°
E - head tube angle	71°	71°
F - wheel base	1130 mm	1140 mm
G - head tube length	160 mm	160 mm
H - fork length	508 mm	508 mm
Stack	675 mm	675 mm
Reach	414 mm	424 mm
Standover height	378 mm	378 mm
Maximum tyre size	2.20"	2.20"





E-MODECO URB 2.0

725Wh / 540Wh



brown-black



champagne-black



black-graphite



Bafang M200



250W 65Nm



725Wh / 540Wh



9 speed

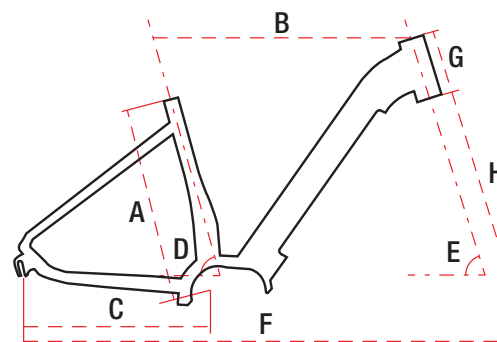
E-MODECO URB 2.0 725Wh/540Wh

Technical data

MOTOR / PERFORMANCE	Bafang M200 mid-mount, 250 Watt, 65Nm torq. sensor	TYRES	Michelin Proték Max 28"×2.20"
CONTROL UNIT	display IPS B02C	RIMS	aluminium doublewall RMT Components
BATTERY	725Wh / 540Wh	FRONT HUB	aluminium 15mm/110mm
CHARGER	4,5A	REAR HUB	aluminium
WHEEL SIZE / FRAME	28" / alu 6061	CASSETTE	Shimano Cues CS-LG300-9, 11-41T, 9 speed
SIZE	M – 17" / L – 19"	HANDLEBAR	aluminium 660mm, 31,8mm
FORK	Suntour NVX32-Boost-NLO-DS, 80mm, tapered	STEM	RMT alu. adj. 85mm/105mm Int. cable rout. 31,8mm
DAMPER	—	SEAT POST	aluminium suspension 30,9mm/300mm
DRIVETRAIN	1×9	GRIPS	Wittkop Medicus Ergo
FRONT SHIFTERS	—	SADDLE	Selle Royal Essenza Plus Relaxed
REAR SHIFTERS	Shimano Cues SL-U4010 9 speed	PEDALS	FP-831ZU
FRONT DERAILLEUR	—	FRONT LAMP	Satelite C13
REAR DERAILLEUR	Shimano Cues RD-U4000	REAR LAMP	Spanninga Pimento
CRANKSET	Prowheel 38T 170mm	WEIGHT	29,1 kg / —
FRONT BRAKE	Shimano BL-MT200 hydraulic	COLOURS	brown-black, champagne-black, black-graphite
REAR BRAKE	Shimano BL-MT200 hydraulic		
FRONT BRAKE DISC	180mm		
REAR BRAKE DISC	160mm		

Geometry

	M	L
Tyre size	28"	28"
A - frame size	432 mm	483 mm
B - top tube length	619 mm	640 mm
C - chainstay length	483 mm	483 mm
D - seat tube angle	72,9°	72,9°
E - head tube angle	70,5°	70,5°
F - wheel base	1171 mm	1192 mm
G - head tube length	160 mm	160 mm
H - fork length	509 mm	509 mm
Stack	673 mm	673 mm
Reach	427 mm	449 mm
Standover height	437 mm	437 mm
Maximum tyre size	2.20"	2.20"





E-MODECO URB 1.0

504Wh



champagne
-black



navy blue
-silver



turquoise



Bafang G020



250W 45Nm



504Wh



8 speed

E-MODECO URB 1.0 504Wh

Technical data

MOTOR / PERFORMANCE	Bafang G020 rear wheel, 250 Watt, 45Nm speed sensor	TYRES	VeeTire Zilent 700×47C
CONTROL UNIT	display Bafang DP C220 CAN	RIMS	aluminium doublewall RMT Components
BATTERY	504Wh	FRONT HUB	aluminium
CHARGER	2A	REAR HUB	—
WHEEL SIZE / FRAME	28" / alu 6061	CASSETTE	Shimano HG31-8, 11-34T, 8 speed
SIZE	M – 17" / L – 19"	HANDLEBAR	aluminium 660mm, 31,8mm
FORK	Suntour NEX-E25-LO-DS, 75mm, tapered	STEM	RMT alu. adj. 85mm/105mm Int. cable rout. 31,8mm
DAMPER	—	SEAT POST	aluminium suspension 30,9mm/300mm
DRIVETRAIN	1×8	GRIPS	Wittkop Medicus Ergo
FRONT SHIFTERS	—	SADDLE	Selle Royal Essenza Plus Relaxed
REAR SHIFTERS	Shimano SL-M315-8R 8 speed	PEDALS	FP-872ZU
FRONT DERAILLEUR	—	FRONT LAMP	Satelite C9
REAR DERAILLEUR	Shimano Acera RDM3020-8	REAR LAMP	Buchel Edge
CRANKSET	Prowheel 38T 170mm	WEIGHT	25 kg
FRONT BRAKE	Shimano BL-MT200 hydraulic	COLOURS	champagne-black, navy blue-silver, turquoise
REAR BRAKE	Shimano BL-MT200 hydraulic		
FRONT BRAKE DISC	160mm		
REAR BRAKE DISC	160mm		

Geometry

	M	L
Tyre size	28"	28"
A - frame size	432 mm	483 mm
B - top tube length	588 mm	613 mm
C - chainstay length	460 mm	460 mm
D - seat tube angle	73°	73°
E - head tube angle	70°	70°
F - wheel base	1110 mm	1125 mm
G - head tube length	160 mm	160 mm
H - fork length	489 mm	489 mm
Stack	656 mm	656 mm
Reach	383 mm	408 mm
Standover height	415 mm	415 mm
Maximum tyre size	2.00"	2.00"

