



E-WAGANT 4.0

820Wh



PHOTO SOON



Shimano EP8



250W 85Nm



820Wh



11 speed

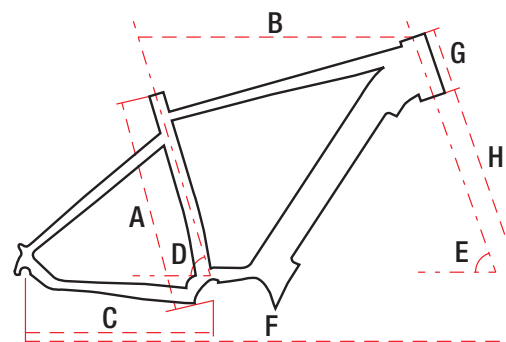
E-WAGANT 4.0 820Wh

Technical data

MOTOR / PERFORMANCE	Shimano EP8 mid-mount, 250 Watt, 85Nm torq. sensor	TYRES	Michelin Protek 700×47C
CONTROL UNIT	display Shimano SC-E610	RIMS	WTB ST i25
BATTERY	820Wh	FRONT HUB	Shimano MT400B 15mm/110mm
CHARGER	4,5A	REAR HUB	Shimano MT400B 12mm/148mm
WHEEL SIZE / FRAME	29" / alu 6061	CASSETTE	Shimano Cues CS-LG400-11, 11-50T, 11 speed
SIZE	M – 18" / L – 20"	HANDLEBAR	RMT Comp. alu. 640mm/660mm, 31,8mm
FORK	Suntour NX1-32-BOOST-AIR-LO, 80mm, tapered	STEM	RMT alu. adj. 85mm/105mm Int. cable rout. 31,8mm
DAMPER	—	SEAT POST	aluminium suspension 30,9mm/300mm
DRIVETRAIN	1×11	GRIPS	Wittkop Medicus Ergo
FRONT SHIFTERS	—	SADDLE	Selle Royal ON
REAR SHIFTERS	Shimano Cues SL-U6000 11 speed	PEDALS	FP-972ZU aluminium
FRONT DERAILLEUR	—	FRONT LAMP	Satelite C13
REAR DERAILLEUR	Shimano Cues RD-U6000	REAR LAMP	Spanninga Pimento
CRANKSET	Shimano SM-CRE80-B 38T 170mm	WEIGHT	—
FRONT BRAKE	Shimano BL-MT401 hydraulic	COLOURS	plum
REAR BRAKE	Shimano BL-MT401 hydraulic		
FRONT BRAKE DISC	Shimano SM-RT30 180mm		
REAR BRAKE DISC	Shimano SM-RT30 180mm		

Geometry

	M	L
Tyre size	28"	28"
A - frame size	457 mm	508 mm
B - top tube length	615 mm	652 mm
C - chainstay length	480 mm	480 mm
D - seat tube angle	73°	73,1°
E - head tube angle	70,5°	70,5°
F - wheel base	1156 mm	1193 mm
G - head tube length	150 mm	160 mm
H - fork length	508 mm	508 mm
Stack	663 mm	673 mm
Reach	418 mm	452 mm
Standover height	781 mm	821 mm
Maximum tyre size	2.00"	2.00"





E-WAGANT 3.0

725Wh / 540Wh



 brown



Bafang M200



250W 65Nm



725Wh / 540Wh



9 speed

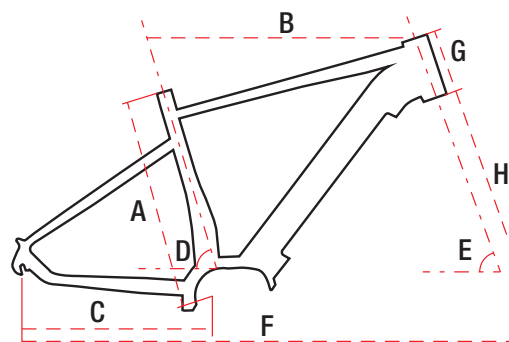
E-WAGANT 3.0 725Wh / 540Wh

Technical data

MOTOR / PERFORMANCE	Bafang M200 mid-mount, 250 Watt, 65Nm torq. sensor	TYRES	Michelin Protek 700×47C
CONTROL UNIT	display IPS B02C	RIMS	aluminium doublewall RMT Components
BATTERY	725Wh / 540Wh	FRONT HUB	aluminium 15mm/110mm
CHARGER	4,5A	REAR HUB	aluminium
WHEEL SIZE / FRAME	29" / alu 6061	CASSETTE	Shimano Cues CS-LG300-9, 11-41T, 9 speed
SIZE	M – 18" / L – 20"	HANDLEBAR	RMT Comp. alu. 640mm/660mm, 31,8mm
FORK	Suntour NVX32-Boost-NLO-DS, 80mm, tapered	STEM	RMT alu. adj. 85mm/105mm Int. cable rout. 31,8mm
DAMPER	—	SEAT POST	aluminium suspension 30,9mm/300mm
DRIVETRAIN	1×9	GRIPS	Wittkop Medicus Ergo
FRONT SHIFTERS	—	SADDLE	Selle Royal Essenza
REAR SHIFTERS	Shimano Cues SL-U4010 9 speed	PEDALS	FP-831ZU
FRONT DERAILLEUR	—	FRONT LAMP	Satelite C13
REAR DERAILLEUR	Shimano Cues RD-U4000	REAR LAMP	Spanninga Pimento
CRANKSET	Prowheel 38T 170mm	WEIGHT	27 kg / —
FRONT BRAKE	Shimano BL-MT200 hydraulic	COLOURS	brown
REAR BRAKE	Shimano BL-MT200 hydraulic		
FRONT BRAKE DISC	180mm		
REAR BRAKE DISC	160mm		

Geometry

	M	L
Tyre size	28"	28"
A - frame size	457 mm	508 mm
B - top tube length	615 mm	647 mm
C - chainstay length	478 mm	478 mm
D - seat tube angle	73°	72°
E - head tube angle	70,5°	70°
F - wheel base	1146 mm	1182 mm
G - head tube length	150 mm	160 mm
H - fork length	509 mm	509 mm
Stack	663 mm	673 mm
Reach	410 mm	437 mm
Standover height	805 mm	826 mm
Maximum tyre size	2.00"	2.00"





E-WAGANT 2.0

504Wh



beige-gray



graphite



Bafang G020



250W 45Nm



504Wh



9 speed

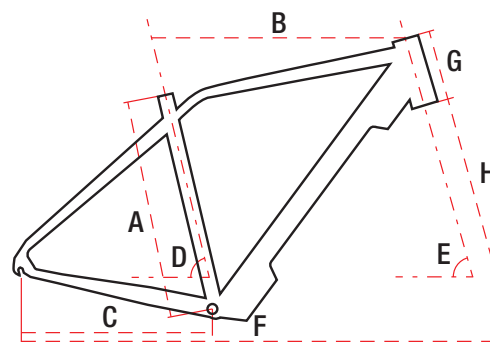
E-WAGANT 2.0 504Wh

Technical data

MOTOR / PERFORMANCE	Bafang G020 rear wheel, 250 Watt, 45Nm torq. sensor	TYRES	VeeTire Zilent 700×47C
CONTROL UNIT	display Bafang DP C220 CAN	RIMS	aluminium doublewall RMT Components
BATTERY	504Wh	FRONT HUB	aluminium
CHARGER	2A	REAR HUB	—
WHEEL SIZE / FRAME	29" / alu 6061	CASSETTE	Shimano Cues CS-LG300-9, 11-41T, 9 speed
SIZE	M – 18" / L – 20"	HANDLEBAR	RMT Comp. alu. 640mm/660mm, 31,8mm
FORK	Suntour NEX-E25-LO-DS, 75mm, tapered	STEM	RMT alu. adj. 85mm/105mm Int. cable rout. 31,8mm
DAMPER	—	SEAT POST	aluminium suspension 30,9mm/300mm
DRIVETRAIN	1×9	GRIPS	Wittkop Medicus Ergo
FRONT SHIFTERS	—	SADDLE	Selle Royal Essenza
REAR SHIFTERS	Shimano Cues SL-U4010 9 speed	PEDALS	FP-872ZU
FRONT DERAILLEUR	—	FRONT LAMP	Satelite C9
REAR DERAILLEUR	Shimano Cues RD-U4000	REAR LAMP	Buchel Edge
CRANKSET	Prowheel 38T 170mm	WEIGHT	25,1 kg
FRONT BRAKE	Shimano BL-MT200 hydraulic	COLOURS	graphite, beige-gray
REAR BRAKE	Shimano BL-MT200 hydraulic		
FRONT BRAKE DISC	160mm		
REAR BRAKE DISC	160mm		

Geometry

	M	L
Tyre size	28"	28"
A - frame size	457 mm	508 mm
B - top tube length	599 mm	600 mm
C - chainstay length	460 mm	460 mm
D - seat tube angle	73°	73°
E - head tube angle	70°	70°
F - wheel base	1117 mm	1117 mm
G - head tube length	150 mm	160 mm
H - fork length	489 mm	489 mm
Stack	644 mm	653 mm
Reach	402 mm	399 mm
Standover height	812 mm	854 mm
Maximum tyre size	2.00"	2.00"





E-WAGANT 1.0

504Wh



● navy blue ● claret



Bafang G020



250W 45Nm



504Wh



8 speed

E-WAGANT 1.0 504Wh

Technical data

MOTOR / PERFORMANCE	Bafang G020 rear wheel, 250 Watt, 45Nm speed sensor	TYRES	VeeTire Zilent 700×47C
CONTROL UNIT	display Bafang DP C220 CAN	RIMS	aluminium doublewall RMT Components
BATTERY	504Wh	FRONT HUB	aluminium
CHARGER	2A	REAR HUB	—
WHEEL SIZE / FRAME	29" / alu 6061	CASSETTE	Shimano HG31-8, 11-34T, 8 speed
SIZE	M – 18" / L – 20"	HANDLEBAR	RMT Comp. alu. 640mm/660mm, 31,8mm
FORK	Suntour NEX-E25-LO-DS, 75mm, tapered	STEM	RMT alu. adj. 85mm/105mm Int. cable rout. 31,8mm
DAMPER	—	SEAT POST	aluminium suspension 30,9mm/300mm
DRIVETRAIN	1×8	GRIPS	Wittkop Medicus Ergo
FRONT SHIFTERS	—	SADDLE	Selle Royal Essenza
REAR SHIFTERS	Shimano SL-M315-8R 8 speed	PEDALS	FP-872ZU
FRONT DERAILLEUR	—	FRONT LAMP	Satelite C9
REAR DERAILLEUR	Shimano Acera RDM3020-8	REAR LAMP	Buchel Edge
CRANKSET	Prowheel 38T 170mm	WEIGHT	24,8 kg
FRONT BRAKE	Shimano BL-MT200 hydraulic	COLOURS	claret, navy blue
REAR BRAKE	Shimano BL-MT200 hydraulic		
FRONT BRAKE DISC	160mm		
REAR BRAKE DISC	160mm		

Geometry

	M	L
Tyre size	28"	28"
A - frame size	457 mm	508 mm
B - top tube length	600 mm	625 mm
C - chainstay length	460 mm	460 mm
D - seat tube angle	73°	73°
E - head tube angle	70°	70°
F - wheel base	1112 mm	1137 mm
G - head tube length	150 mm	160 mm
H - fork length	489 mm	489 mm
Stack	659 mm	668 mm
Reach	399 mm	421 mm
Standover height	800 mm	838 mm
Maximum tyre size	2.00"	2.00"

